

4. Cover the bed with bedding, making sure the entire bed is evenly covered. DO NOT place your spare blanket and/or bedspread across the bottom half of the bed when the electric blanket is switched on. (Figure C)

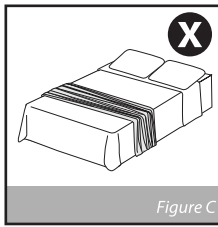


Figure C

5. Plug the electric blanket into the power supply and switch the wall socket plug to the ON position.

6. Move the slider on the control unit of the electric blanket to Position OOO, (Turbo Preheat) between 45 minutes and 1 hour before you retire for the night. Even after 5 minutes the temperature of the bed should be noticeably warmer.

7. Before you get into bed move the slider on the control to O (All Night setting) or OO (All Night Plus setting) and after a while the temperature will drop. Otherwise switch the electric blanket off by moving the slider to the OFF position.

8. Position OO (All Night Plus) is intended to heat the bed whilst you are awake **ONLY** and not for all night use.

### A FEW PRECAUTIONS TO TAKE NOTE OF

**⚠** After use, remember to switch the blanket off when you get out of bed.

Ensure the bed covers are evenly spread over the electric blanket to avoid a heat build up in any section of the electric blanket. For example, if your electric blanket is on Position OOO and your pet or an object is covering a small section of the electric blanket, the section immediately under the object will become excessively hot. Should the electric blanket reach a critical temperature, the Safeguard Overheat Protection System will activate and permanently disable the blanket, rendering the blanket safe but unusable. (see Safeguard Overheat Protection system)

Please take extra care to make sure that your blanket remains well-fitted at all times. Creases in the blanket should be avoided and smoothed out daily when making the bed.

### SAFEGUARD OVERHEAT PROTECTION SYSTEM

The Safeguard Overheat Protection system (thermal cut-out) in the blanket protects it from overheating by switching off **automatically** and **permanently** if it overheats or is faulty.

The safety system monitors the temperature of the electric blanket. If the electric blanket reaches a temperature that is considered dangerous, the system will turn off **permanently**. By failing to fit your blanket properly to your mattress, your blanket may crease during use. If it creases (see Figure A), the likelihood of wires touching each other and creating a hot spot will increase. It is normal for the lead from the blanket to/and including the control, to become warm. Once the safety system has activated, the blanket will no longer work, and it cannot be reset.

**⚠** No attempts should be made to repair the blanket or have it repaired by any technician other than the manufacturer.

**⚠** The control must never be tampered with or replaced.

### LOOKING AFTER YOUR BLANKET

**⚠** Examine your blanket frequently for any signs of wear or damage to the blanket, control or cord. In case of damage or misuse, stop using the blanket and contact the supplier immediately.

**Storage:** The best way to store a blanket is to leave it on the bed. Failing this, store it in a dry place, but DO NOT fold it. Folding or creasing the blanket should be avoided. Roll it up loosely, to avoid making folds in the wire. DO NOT place anything on top of a stored blanket.

**Cleaning:** Always remove the plug from the power supply and remove the switch from the electric blanket before attempting to clean the blanket. Small spots can be cleaned with a cloth or damp sponge and if necessary a little mild detergent. Alternatively the blanket can be machine washed on a cold, gentle cycle. To dry the blanket lay it on a flat surface in the sun to dry.

- DO NOT dry clean, Machine dry or iron the blanket
- DO NOT switch the blanket on to dry it
- DO NOT hang the blanket with clothes pegs or anything similar to dry
- DO NOT use a hair dryer or heater to dry the blanket
- Make sure the electric blanket and connector sockets are completely dry before using it



MACHINE WASH COLD



DO NOT WRING



DO NOT TUMBLE DRY



DO NOT BLEACH



DO NOT IRON



DRY FLAT

### WARNINGS

- FOR YOUR OWN SAFETY PLEASE READ THIS MANUAL CAREFULLY AND OPERATE THE PRODUCT ACCORDING TO THE INSTRUCTIONS
- ELECTRIC BLANKETS ARE SAFE AND EFFICIENT APPLIANCES, HOWEVER NOT FOLLOWING THESE INSTRUCTION IS EXTREMELY DANGEROUS AND CAN LEAD TO INJURY, PROPERTY DAMAGE OR DEATH.
- PLEASE RETAIN THIS MANUAL FOR FUTURE REFERENCE
- APPROVED TO INTERNATIONAL SAFETY STANDARD EN 60335-2-17:2002

### CONTACT US

Pure Pleasure quality products are manufactured for and distributed by:

Pure Pleasure  
PO Box 30014, Tokai, Cape Town, 7966

Tel: 086 100 2582 or 021 442 1540 | Email: info@stingray.co.za  
www.purepleasure.co.za

StingrayGroupSA | www.facebook.com/stingraypp



**Pure Pleasure**  
Giving warmth with safety

### FITTED ELECTRIC BLANKET WITH SKIRT

DOUBLE 137 x 188cm • INPUT: 2x 58W HEATING CIRCUITS  
QUEEN 152 x 188cm • INPUT: 2x 58W HEATING CIRCUITS  
KING 183 x 188cm • INPUT: 2x 65W HEATING CIRCUITS



**AUTOMATIC  
OVERHEAT  
PROTECTION**



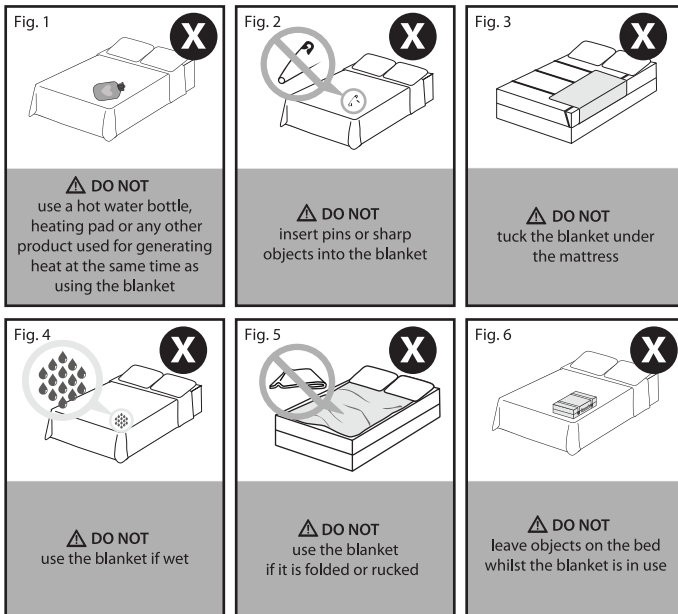
- 3 Heat Settings for your personal comfort and warmth
- Automatic Overheat Protection for all night safety
- Low energy consumption
- Individual temperature control with On/Off pilot light
- All year round mattress protector
- 2 year warranty

### MEETS INTERNATIONAL SAFETY REQUIREMENTS

PLEASE READ THIS INSTRUCTION MANUAL BEFORE USING/FITTING YOUR ELECTRIC BLANKET

## IMPORTANT SAFETY INFORMATION

It is important to read, understand and follow these instructions. Failing to do so will shorten the life span of your blanket and is dangerous.



- PLEASE Read this manual before using this blanket.
- DO NOT use this electric blanket with an infant, helpless person or infirm person.
- DO NOT use any control other than the one supplied with the blanket.
- NOT intended for medical use or in hospitals.
- An adult should always supervise the use of the blanket when a child is involved. The adult should control the heat settings.
- This blanket may only be used in the manner for which it is intended.
- Using this blanket for anything other than its intended use will void the warranty.
- This blanket must always be securely and properly fitted to the bed.
- DO NOT modify this appliance in any form whatsoever.
- Always select "All Night" (Position O) or "All Night Plus" (Position OO) setting when you enter the bed. Never leave on the "Turbo Preheat" setting (Position OOO). This could lead to heat stroke.
- DO NOT use this blanket on any other size bed than it has been manufactured for.
- Should the blanket get wet while in use - Switch off immediately, remove the plug from the wall socket.

## GLOSSARY OF SYMBOLS FOUND IN THIS MANUAL



CAUTION



INFORMATION



DANGER

### THANK YOU

for purchasing this Fitted electric blanket.

All our electric blankets have been manufactured to the highest international standards. This product has been comprehensively tested for all known safety situations, so you can rest assured in the knowledge that it will provide warmth, comfort and peace of mind.

## WARRANTY

- This blanket carries a two-year warranty from date of purchase (date of till slip or invoice). Always keep your till slip or invoice as a proof of purchase, without it your warranty will be void.

All electric blankets are individually tested before leaving our factory. In the unlikely event that the blanket becomes faulty within the first 24 months, it should be returned to Pure Pleasure to be repaired or replaced.

**DO NOT RETURN THIS PRODUCT TO THE PLACE OF PURCHASE.**

If you have any questions when fitting or using this electric blanket, please visit [www.purepleasure.co.za](http://www.purepleasure.co.za) or call **086 100 2582** or email [info@stingray.co.za](mailto:info@stingray.co.za)

**To qualify for the 24-month warranty, the blanket must be used in accordance with these instructions.**

- Note that by releasing the control switch from its packaging for first use, you are "permanently installing" this appliance, as specified in the Consumer Protection Act (2011).

The manufacturer or supplier will not be liable to replace goods under terms of warranty where:

- The fault has been caused or is due to misuse, negligence and/or contrary to the instructions or where the fault has been caused by power surges.
- The blanket has been used with a voltage supply other than that indicated on the blanket.
- The blanket has been used for commercial purposes or non-domestic use.

### FOR HOUSEHOLD USE ONLY

- DO NOT modify this appliance in any form whatsoever, it is extremely dangerous and will void your warranty.

## ELECTRICAL REQUIREMENTS

Make sure the voltage on the sew-in label of your blanket corresponds with the electricity supply of your residence. It must be **Alternating Current 220 to 240 volts (AC) ~ 50Hz.**

If you have any doubts about your electricity supply, ask your electricity supplier.

**DO NOT** remove the supplied plug from the appliance. Use a suitable adaptor.

This appliance does not need to be earthed. It is a double insulated product.

## FITTING INSTRUCTIONS

- To ensure complete safety this electric blanket must be fitted to the mattress like a fitted sheet. Also make sure that the electric blanket has been pulled tautly over the mattress so it is not folded or rucked. It should be readjusted daily during the making of your bed (see Figure A).

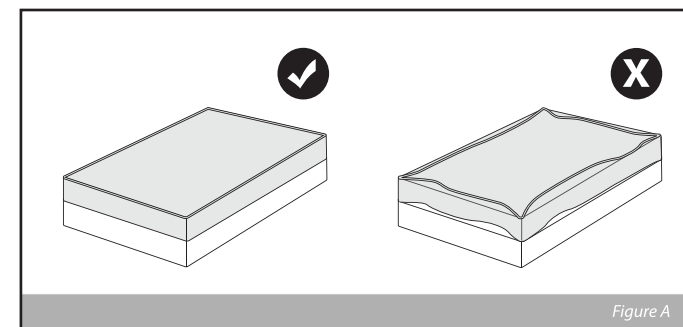
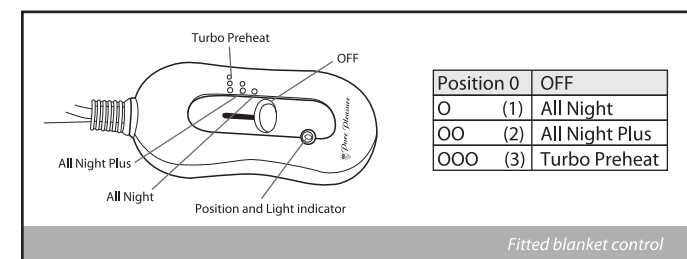


Figure A

- Special care must be taken not to place large objects onto the bed, as too much heat in a small area will trigger the overheat protection system in the electric blanket, rendering it **permanently** inoperable. This safety feature, once activated cannot be repaired. The safety overheat protection system is for your safety as well as being a requirement by law.

## INSTRUCTIONS FOR USE

The electric blanket is safe to use all night on the Position O. The electric blanket has a choice of 3 settings, Position O being lowest and Position OOO highest (preheat). Position OOO can be used while awake in the bed. When the selector is in Positions O, OO and OOO the indicator light will be on. When the selector is in the OFF Position, the indicator light is off.



Fitted blanket control

To get the most efficient use from your electric blanket follow these steps:  
1. Fit the electric blanket to your bed as per the fitting instruction in this manual.

2. Cover the blanket with a sheet and ensure the control remains uncovered.  
**An uncovered electric blanket will not heat up your bed sufficiently without a blanket or duvet being fitted evenly over it.**

3. Place pillows at the head of the bed. The area under the pillows may become warm, this is normal. (Figure B)

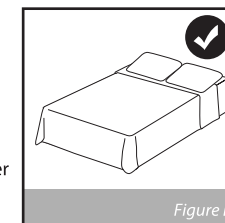


Figure B